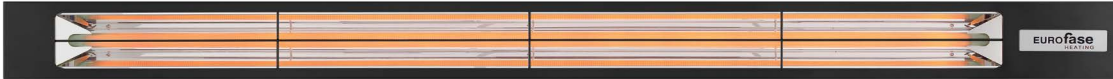


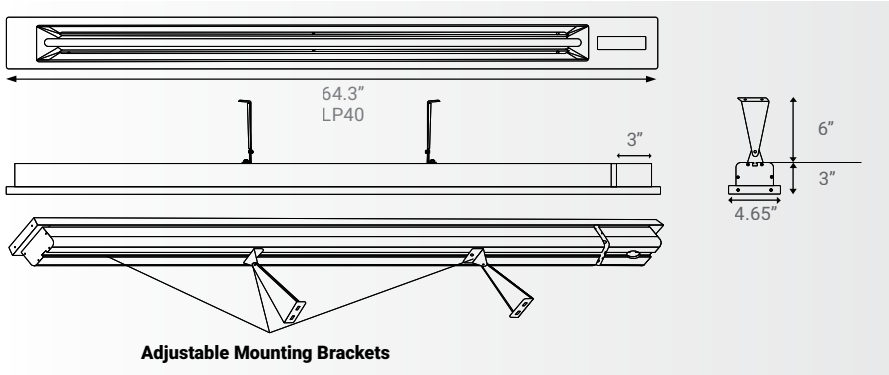
Project \_\_\_\_\_  
 Type \_\_\_\_\_ Date \_\_\_\_\_  
 Address \_\_\_\_\_  
 Company \_\_\_\_\_

## LP40 Series

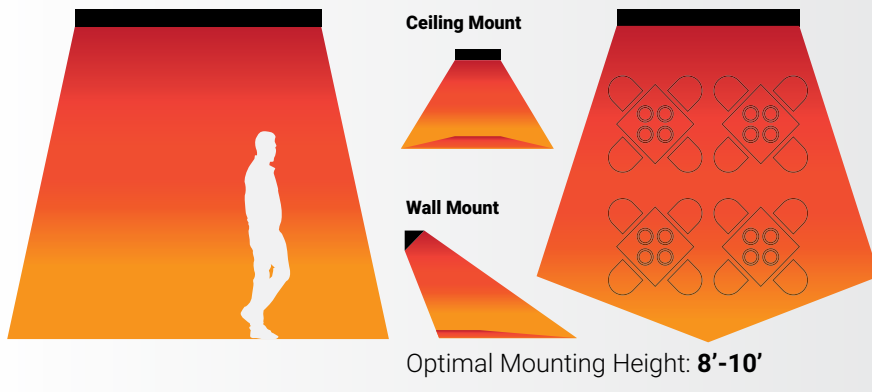


### FEATURES

With a sleek, modern design, the Eurofase Heating 4000W Low Profile heater effortlessly blends into any space. Featuring quartz heating elements and 6-inch wall/ceiling brackets, it delivers warmth and comfort within a 10 ft x 10 ft radius (100 sq.ft.).



### HEAT COVERAGE AREA: 10'x10' (100 sq.ft.)



### Color Options

### SPECIFICATIONS

WATTAGE	4000 Watts
FAMILY/ SERIES	LP40
VOLTAGE RATING	208V, 240V, 277V, 480V
TOTAL AMPS	19.2A**, 16.7A, 14.4A, 8.33A**
FINISH	Black
CONSTRUCTION	Stainless Steel (304 SS)
HEATING AREA (Approximate)	10'x10' (100 sq.ft.)
COMPATIBLE ELEMENTS	EF40208E, EF40240E, EF40277E, EF40480E
MOUNTING OPTIONS	Wall/ Ceiling
MOUNTING ANGLE (Wall/Ceiling)	30°/45°
LENGTH	64.3"
HEIGHT	4.65"
DEPTH(With 6"Brackets)	9" (6"+3")
WEIGHT	17 LBS
INFRARED HEAT TECHNOLOGY	MEDIUM WAVE
IPX RATING	IPX4
WARRANTY	3 year

Actual output wattage ranging 90% to 105% of the rated output wattage.  
 \*\* Load calculation may change on a 3-phase system feed.

### SPECIFICATION GUIDE

WATTAGE	CODE	VOLTAGE	CODE	FINISH	CODE
4000W	LP40	208V	208	BLACK	B
		240V	240		
		277V	277		
		480V	480		

ORDERING GUIDE EXAMPLE:  
 4000W + 240V + BLACK FINISH = LP40 + 240 + B = LP40240B

# EUROfase EF60 Series

## HEATING

Project \_\_\_\_\_

Type \_\_\_\_\_

Date \_\_\_\_\_

Address \_\_\_\_\_

Company \_\_\_\_\_

### POLE MOUNTS

Eurofase heating offers 8' high poles with single and double mount that can be angled to 0°/15°/30°/45°/60° degrees to ensure you get the perfect angle.

ITEM NO.	DESCRIPTION
EF6108PMW	8' Pole Mount, Single 61", White
EF6108PMB	8' Pole Mount, Single 61", Black
EF6108PMDW	8' Pole Mount, Double 61", White
EF6108PMDB	8' Pole Mount, Double 61", Black

\*Custom sizes available. Please contact us to know more.



### FLUSH MOUNT KIT

Convert our heaters into a recessed heater for the added architectural appeal and minimalistic look!

ITEM NO.	FINISH
EF61FMPFS	● Stainless Steel
EF61FMPFB	● Black
EF61FMPFW	○ White

\*Note that décor plates should not be used with the flush mount kit.



The Flush mount kit includes: Flush mount Frame + 10' 4-wire high temperature whip + Mounting Accessories

### HIGH TEMPERATURE WHIP

Eurofase 4 wire high temperature whip is resistant to rust, cracks, and heat damage.

ITEM NO->	FRAME DESCRIPTION	LENGTH
EFHTW10	10' 4-WIRE HIGH TEMPERATURE WHIP	10'
EFHTW15	15' 4-WIRE HIGH TEMPERATURE WHIP	15'
EFHTW20	20' 4-WIRE HIGH TEMPERATURE WHIP	20'
EFHTW30	30' 4-WIRE HIGH TEMPERATURE WHIP	30'
EFHTW40	40' 4-WIRE HIGH TEMPERATURE WHIP	40'
EFHTW50	50' 4-WIRE HIGH TEMPERATURE WHIP	50'
EFHTW75	75' 4-WIRE HIGH TEMPERATURE WHIP	75'



### SWITCHES

DESCRIPTION	CODE	FINISH	CODE
SINGLE, DUPLEX/STACKED SWITCH	EFSWP	STAINLESS STEEL	S
DUAL, DUPLEX/STACKED SWITCH	EFDWP	WHITE	W
SINGLE, WEATHERPROOF RECESSED DUPLEX/STACKED SWITCH	EFSWWP		
DUAL, WEATHERPROOF RECESSED DUPLEX/STACKED SWITCH	EFDWWP		
SINGLE, WEATHERPROOF SURFACE MOUNT DUPLEX/STACKED SWITCH	EFSOWP		
DUAL, WEATHERPROOF SURFACE MOUNT DUPLEX/STACKED SWITCH	EFDOWP		



#### ORDERING GUIDE EXAMPLE:

Single, Weatherproof Recessed Duplex/Stacked Switch+ Stainless Steel Finish = EFSWWP  
+ S = EFSWWP S

\* Refer to page for advanced control options.